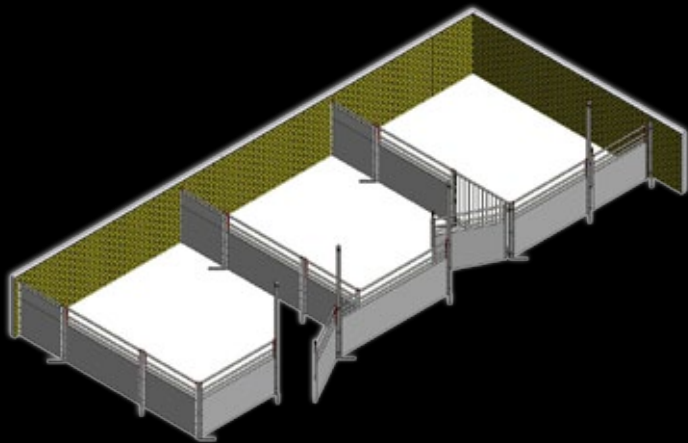




INN-O-FLEX®

Pen equipment for sows and boars



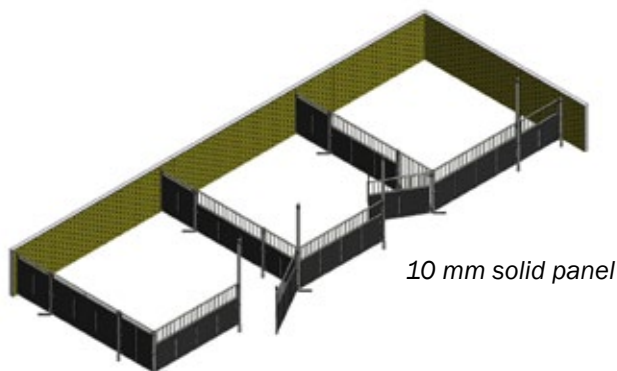
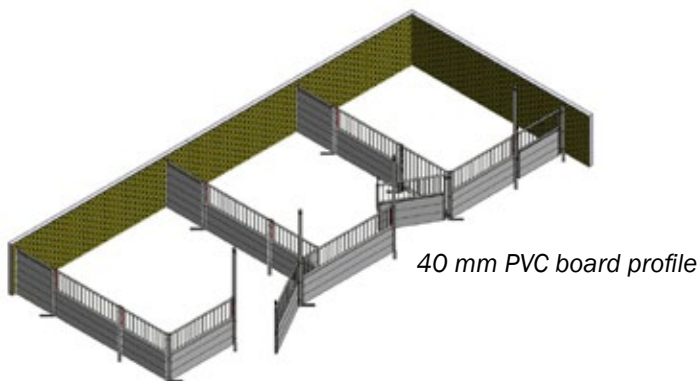
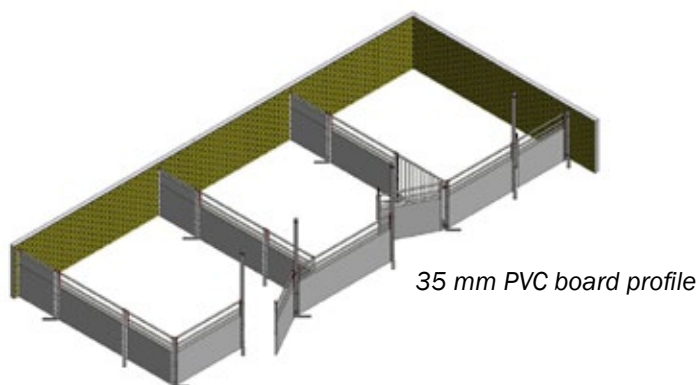
- Flexible pen equipment for sows and boars
- Pipes with 2 solid steel profiles at the bottom for better durability
- Horizontal or vertical upper pipes fit tight to the board profiles
- U-profiles with inwards curved edges reduce risk of manure penetration between U-profiles and board profiles
- Easy to clean

INN-O-FLEX®

Pen equipment for sows and boars

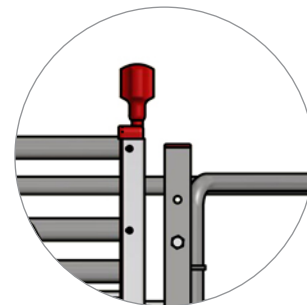
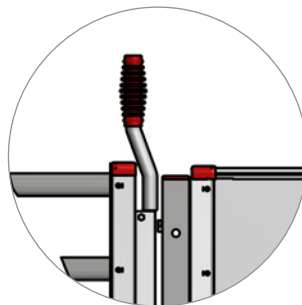
INN-O-FLEX is a new flexible penning program for sows and boars. The equipment is 110 cm high and mounted on 5x5 cm galvanized posts. There can be used both 35 mm and 40 mm board profiles as well as 10 mm solid panels.

There are vertical or horizontal pipes at the top of the equipment, that close tightly over the board profiles. Besides, stainless steel U-profiles with inwards curved edges reduce the risk of manure penetration between U-profiles and board profiles. It ensures a better durability and makes it easier to keep the equipment clean.



Technical data for INN-O-FLEX:

Height	110 cm
Posts	5 x 5 cm galvanized
Board profile thickness	35 / 40 mm
LDPE plate thickness	10 mm
U-profiles	1,5 mm stainless steel
Pipes	33,7 x 2,65 mm hot galvanized
Gate handle	Pin lock / Twist lock



There are many options and combinations with INN-O-FLEX. Contact us for more information.

Subject to changes in materials and design is reserved.

B-6510-GB



ACO FUNKI A/S
Kirkevænget 5
DK-7400 Herning

T. +45 9711 9600
www.acofunki.com
www.egebjerg.com



FUNKI | EGEBJERG